

PRODUCT  
NEWS

No. 522

新製品  
NEW PRODUCT

NEW

超硬コーティングドリル

EZシリーズ

DIJET®

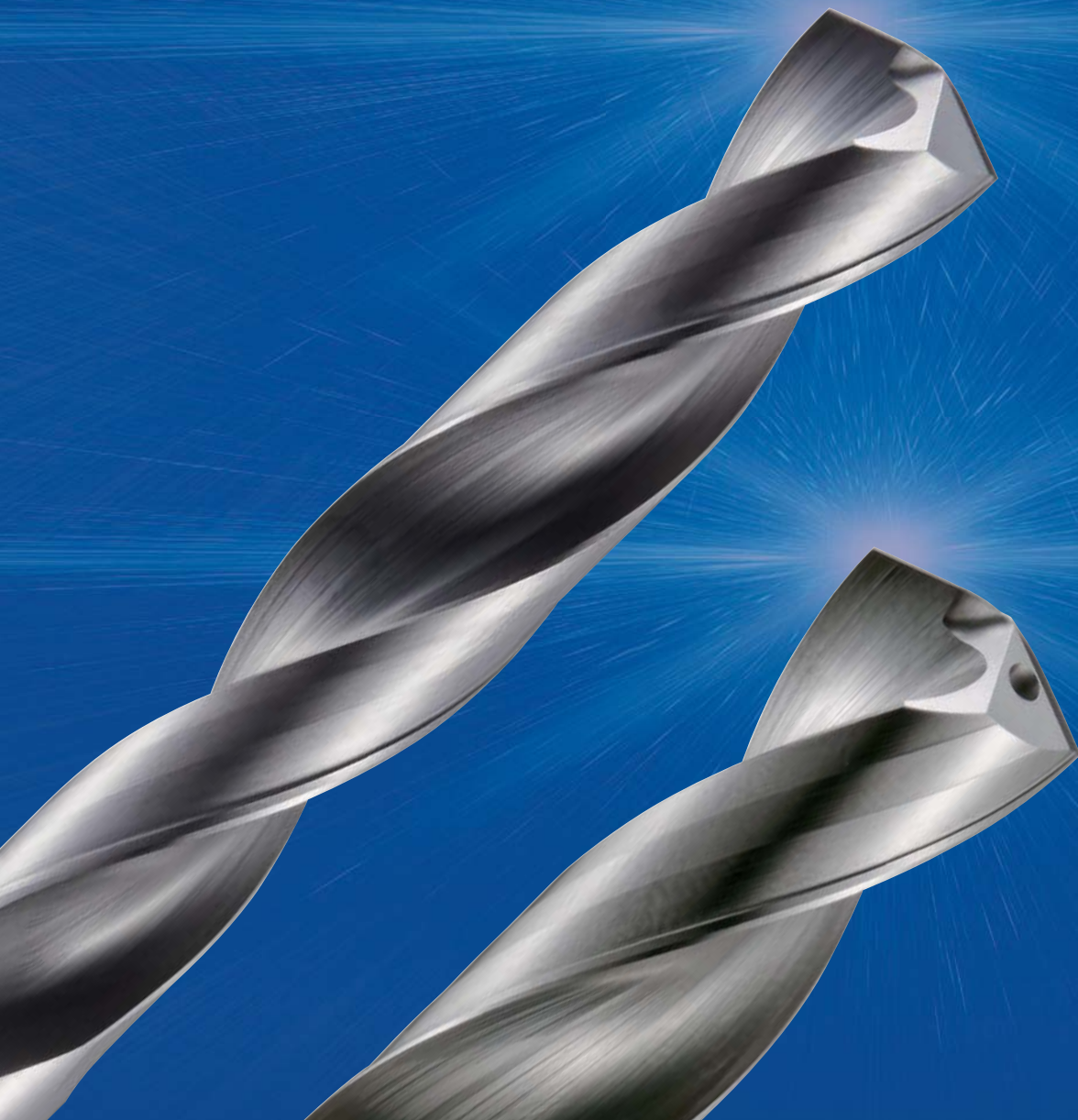
# ストライクドリル

EZ series

Coated carbide drill "STRIKE DRILL"

EZN形 EZN type

- クーラント穴無し:2Dタイプ(φ1~φ14)・4Dタイプ(φ3~φ14)
- クーラント穴付き:3Dタイプ(φ3~φ16)・5Dタイプ(φ3~φ16)



ダイジェット工業株式会社

## 特長

Feature of product



# 多様な被削材にど真ん中ストレートの穴をあける ストライクドリル

STRIKE DRILL make a straight hole in the middle of various materials

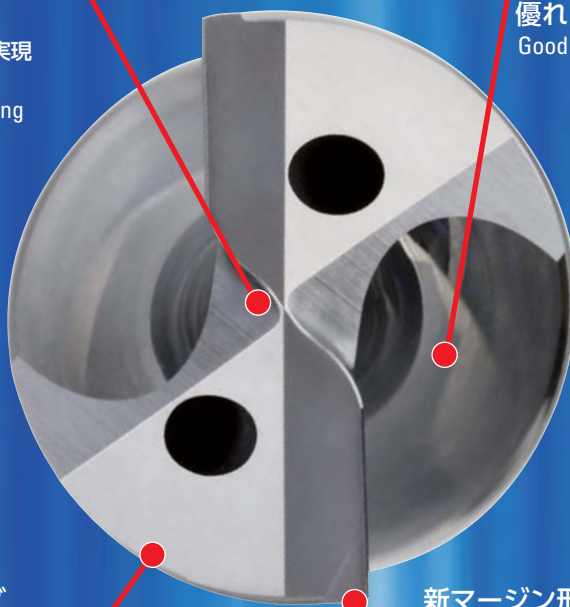


新シンニング形状 (特許出願中)  
NEW Thinning shape (Patent pending)

低スラスト力で  
良好な食いつきを実現  
Because of low thrust,  
achieved excellent biting  
property

溝平滑処理  
Smoothing process for flute

優れた切りくず排出性  
Good chip discharge performance



DV コーティング  
DV coating

微粒子超硬母材と  
耐酸化性に優れたバリューコート採用  
Adopted micro-grain carbide  
and DV coating which is  
good for oxidation resistant

新マージン形状  
New margin shape

切削熱・切削抵抗の低減により  
摩耗の抑制、加工面精度の向上  
By reducing cutting force and cutting heat,  
attaining excellent surface roughness

## ラインナップ

Line up

クーラント穴無し Without coolant hole



2Dタイプ 2D type  
4Dタイプ 4D type

クーラント穴付き With coolant hole



3Dタイプ 3D type  
5Dタイプ 5D type

※5Dは剛性重視のダブルマージン仕様  
5D type improved drill rigidity because of  
adopted double margin

## 切削性能

## Cutting performance

### ステンレス鋼に対する切削性能比較 (φ10) Cutting performance comparison (Stainless steel)

- 低スラスト力で食いつきから加工穴底部まで安定した穴あけ加工が可能  
Because of low thrust, it achieved excellent biting property and stable drilling

被削材: **SUS304** Material  
 工具形番: EZN3DCH1000S10 Cat.No.  
 工具径: φ10 Tool dia.  
 切削条件:  $V_c=60\text{m/min}$ ,  $f=0.30\text{mm/rev}$  Cutting conditions  
 穴あけ深さ: 30mm (止まり穴) Drilling depth (Blind hole)  
 突き出し量: 60mm Over hung length  
 水溶性切削油 (内部) Wet (internal)



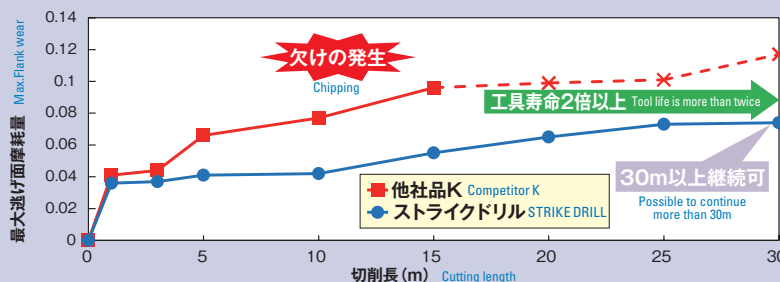
- 新マージン形状により、切削抵抗と切削熱を抑制し、優れた加工面精度を実現  
By reducing cutting force and cutting heat, attaining excellent surface roughness



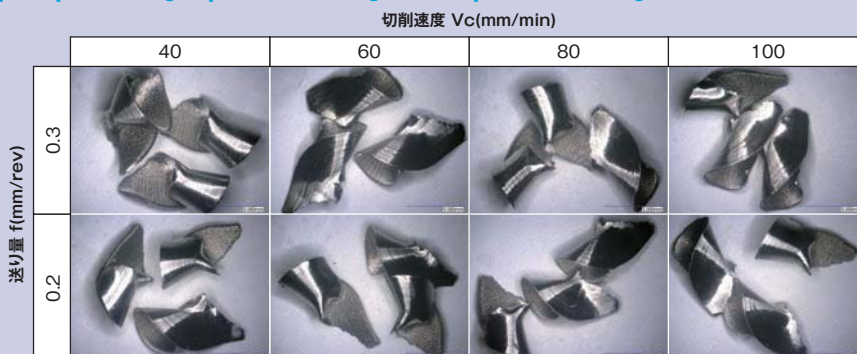
### ステンレス鋼加工での工具寿命 (φ10) Tool life comparison (Stainless steel)

- ストライクドリルは、他社品に対し、2倍以上の寿命を達成  
STRIKE DRILL achieved more than 2 times longer tool life compared with competitor K

被削材: **SUS316L** Material  
 工具形番: EZN3DCH1000S10 Cat.No.  
 工具径: φ10 Tool dia.  
 切削条件:  $V_c=60\text{m/min}$ ,  $f=0.28\text{mm/rev}$  Cutting conditions  
 穴あけ深さ: 22mm (貫通穴) Drilling depth (Through hole)  
 突き出し量: 60mm Over hung length  
 水溶性切削油 (内部) Wet (internal)



- 低速から高速加工領域まで良好な切りくずが排出できる  
Favorable chip shape from high speed machining to low speed machining



## 製品概要

Line up

### ストライクドリル EZN2D形(2Dタイプ)

EZN2D type

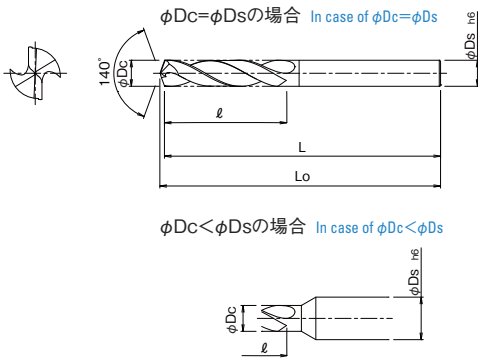
- 高精度ソリッドドリル High accuracy solid drill
- 有効加工穴深さ2×Dc Drilling depth 2×Dc
- ねじれ角30° Helix angle :30°
- クーラント穴無し Without coolant hole



形番 Cat. No.	在庫 Stock	寸法(mm) Dimensions					標準価格 (円) List Price (JPY)
		φDc	ℓ	L	Lo	φDs	
EZN2D0100S03	●	1.0	4	49	49.2	3	4,190
EZN2D0110S03	●	1.1	5	49	49.2	3	4,190
EZN2D0120S03	●	1.2	5	49	49.2	3	4,190
EZN2D0130S03	●	1.3	6	49	49.2	3	4,190
EZN2D0140S03	●	1.4	6	49	49.3	3	4,190
EZN2D0150S03	●	1.5	6	49	49.3	3	4,190
EZN2D0160S03	●	1.6	7	49	49.3	3	4,190
EZN2D0170S03	●	1.7	7	49	49.3	3	4,190
EZN2D0180S03	●	1.8	8	49	49.3	3	4,190
EZN2D0190S03	●	1.9	8	49	49.3	3	4,190
EZN2D0200S03	●	2.0	8	49	49.4	3	4,190
EZN2D0210S03	●	2.1	9	49	49.4	3	4,190
EZN2D0220S03	●	2.2	9	49	49.4	3	4,190
EZN2D0230S03	●	2.3	10	49	49.4	3	4,190
EZN2D0240S03	●	2.4	10	49	49.4	3	4,190
EZN2D0250S03	●	2.5	10	49	49.5	3	4,190
EZN2D0260S03	●	2.6	11	49	49.5	3	4,190
EZN2D0270S03	●	2.7	11	49	49.5	3	4,190
EZN2D0280S03	●	2.8	12	49	49.5	3	4,190
EZN2D0290S03	●	2.9	12	49	49.5	3	4,190
EZN2D0300S04	●	3.0	13	49	49.5	4	4,190
EZN2D0310S04	●	3.1	15	49	49.6	4	4,520
EZN2D0320S04	●	3.2	15	49	49.6	4	4,520
EZN2D0330S04	●	3.3	15	49	49.6	4	4,520
EZN2D0340S04	●	3.4	15	49	49.6	4	4,520
EZN2D0350S04	●	3.5	15	49	49.6	4	4,520
EZN2D0360S04	●	3.6	17	49	49.7	4	4,710

形番 Cat. No.	在庫 Stock	寸法(mm) Dimensions					標準価格 (円) List Price (JPY)
		φDc	ℓ	L	Lo	φDs	
EZN2D0370S04	●	3.7	17	49	49.7	4	4,710
EZN2D0380S04	●	3.8	17	49	49.7	4	4,710
EZN2D0390S04	●	3.9	17	49	49.7	4	4,710
EZN2D0400S04	●	4.0	17	49	49.7	4	4,710
EZN2D0410S06	●	4.1	19	64	64.7	6	5,100
EZN2D0420S06	●	4.2	19	64	64.8	6	5,100
EZN2D0430S06	●	4.3	19	64	64.8	6	5,100
EZN2D0440S06	●	4.4	19	64	64.8	6	5,100
EZN2D0450S06	●	4.5	19	64	64.8	6	5,100
EZN2D0460S06	●	4.6	21	64	64.8	6	5,440
EZN2D0470S06	●	4.7	21	64	64.9	6	5,440
EZN2D0480S06	●	4.8	21	64	64.9	6	5,440
EZN2D0490S06	●	4.9	21	64	64.9	6	5,440
EZN2D0500S06	●	5.0	21	64	64.9	6	5,440
EZN2D0510S06	●	5.1	23	68	68.9	6	5,760
EZN2D0520S06	●	5.2	23	68	68.9	6	5,760
EZN2D0530S06	●	5.3	23	68	69.0	6	5,760
EZN2D0540S06	●	5.4	23	68	69.0	6	5,760
EZN2D0550S06	●	5.5	23	68	69.0	6	5,760
EZN2D0560S06	●	5.6	25	68	69.0	6	6,030
EZN2D0570S06	●	5.7	25	68	69.0	6	6,030
EZN2D0580S06	●	5.8	25	68	69.1	6	6,030
EZN2D0590S06	●	5.9	25	68	69.1	6	6,030
EZN2D0600S06	●	6.0	25	68	69.1	6	6,030
EZN2D0610S08	●	6.1	27	73	74.1	8	6,030
EZN2D0620S08	●	6.2	27	73	74.1	8	6,030
EZN2D0630S08	●	6.3	27	73	74.1	8	6,030

●:メーカー在庫品 Standard stock items



●直径寸法許容差(mm)  
Tolerance for φDc

直径φDc Tool dia.	許容差 Tolerance
3以下 3 Up to	0 -0.014
3をこえ6以下 3 Over 6 Up to	0 -0.018
6をこえ10以下 6 Over 10 Up to	0 -0.022
10をこえ14以下 10 Over 14 Up to	0 -0.027

形番 Cat. No.	在庫 Stock	寸法(mm) Dimensions					標準価格 (円) List Price (JPY)
		φDc	ℓ	L	Lo	φDs	
EZN2D0640S08	●	6.4	27	73	74.2	8	6,030
EZN2D0650S08	●	6.5	27	73	74.2	8	6,030
EZN2D0660S08	●	6.6	28	73	74.2	8	6,400
EZN2D0670S08	●	6.7	28	73	74.2	8	6,400
EZN2D0680S08	●	6.8	28	73	74.2	8	6,400
EZN2D0690S08	●	6.9	28	73	74.3	8	6,400
EZN2D0700S08	●	7.0	28	73	74.3	8	6,400
EZN2D0710S08	●	7.1	30	73	74.3	8	6,780
EZN2D0720S08	●	7.2	30	73	74.3	8	6,780
EZN2D0730S08	●	7.3	30	73	74.3	8	6,780
EZN2D0740S08	●	7.4	30	73	74.3	8	6,780
EZN2D0750S08	●	7.5	30	73	74.4	8	6,780
EZN2D0760S08	●	7.6	32	73	74.4	8	7,130
EZN2D0770S08	●	7.7	32	73	74.4	8	7,130
EZN2D0780S08	●	7.8	32	73	74.4	8	7,130
EZN2D0790S08	●	7.9	32	73	74.4	8	7,130
EZN2D0800S08	●	8.0	32	73	74.5	8	7,130
EZN2D0810S10	●	8.1	34	78	79.5	10	7,550
EZN2D0820S10	●	8.2	34	78	79.5	10	7,550
EZN2D0830S10	●	8.3	34	78	79.5	10	7,550
EZN2D0840S10	●	8.4	34	78	79.5	10	7,550
EZN2D0850S10	●	8.5	34	78	79.5	10	7,550
EZN2D0860S10	●	8.6	36	78	79.6	10	7,900
EZN2D0870S10	●	8.7	36	78	79.6	10	7,900
EZN2D0880S10	●	8.8	36	78	79.6	10	7,900
EZN2D0890S10	●	8.9	36	78	79.6	10	7,900
EZN2D0900S10	●	9.0	36	78	79.6	10	7,900

形番 Cat. No.	在庫 Stock	寸法(mm) Dimensions					標準価格 (円) List Price (JPY)
		φDc	ℓ	L	Lo	φDs	
EZN2D0910S10	●	9.1	38	88	89.7	10	8,310
EZN2D0920S10	●	9.2	38	88	89.7	10	8,310
EZN2D0930S10	●	9.3	38	88	89.7	10	8,310
EZN2D0940S10	●	9.4	38	88	89.7	10	8,310
EZN2D0950S10	●	9.5	38	88	89.7	10	8,310
EZN2D0960S10	●	9.6	40	88	89.7	10	8,660
EZN2D0970S10	●	9.7	40	88	89.8	10	8,660
EZN2D0980S10	●	9.8	40	88	89.8	10	8,660
EZN2D0990S10	●	9.9	40	88	89.8	10	8,660
EZN2D1000S10	●	10.0	40	88	89.8	10	8,660
EZN2D1010S12	●	10.1	42	98	99.8	12	9,090
EZN2D1020S12	●	10.2	42	98	99.9	12	9,090
EZN2D1030S12	●	10.3	42	98	99.9	12	9,090
EZN2D1040S12	●	10.4	42	98	99.9	12	9,090
EZN2D1050S12	●	10.5	42	98	99.9	12	9,090
EZN2D1060S12	●	10.6	44	98	99.9	12	9,450
EZN2D1070S12	●	10.7	44	98	99.9	12	9,450
EZN2D1080S12	●	10.8	44	98	100.0	12	9,450
EZN2D1090S12	●	10.9	44	98	100.0	12	9,450
EZN2D1100S12	●	11.0	44	98	100.0	12	9,450
EZN2D1150S12	●	11.5	46	98	100.1	12	9,810
EZN2D1200S12	●	12.0	48	98	100.2	12	10,100
EZN2D1250S14	●	12.5	52	110	112.3	14	10,600
EZN2D1300S14	●	13.0	52	110	112.4	14	10,800
EZN2D1350S14	●	13.5	56	115	117.5	14	11,400
EZN2D1400S14	●	14.0	56	115	117.5	14	11,700

●:メーカー在庫品 Standard stock items

特殊品対応及び、再研削再コート対応致します。  
詳細は弊社営業所までお問い合わせください。

再研削の手引きは  
↓コチラ↓

## 製品概要

### Line up

## ストライクドリル EZN4D形(4Dタイプ)

### EZN4D type

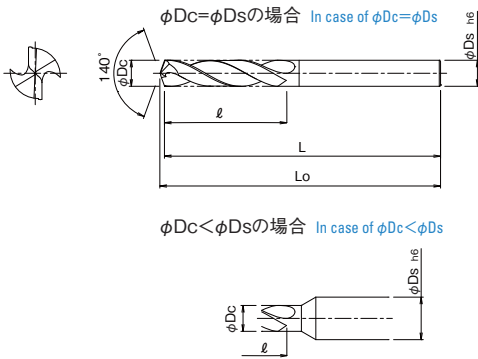
- 高精度ソリッドドリル High accuracy solid drill
- 有効加工穴深さ4×Dc Drilling depth 4×Dc
- ねじれ角30° Helix angle :30°
- クーラント穴無し Without coolant hole



形番 Cat. No.	在庫 Stock	寸法(mm) Dimensions					標準価格 (円) List Price (JPY)
		φDc	ℓ	L	Lo	φDs	
EZN4D0300S04	●	3.0	19	59	59.5	4	4,950
EZN4D0310S04	●	3.1	22	59	59.6	4	5,300
EZN4D0320S04	●	3.2	22	59	59.6	4	5,300
EZN4D0330S04	●	3.3	22	59	59.6	4	5,300
EZN4D0340S04	●	3.4	22	59	59.6	4	5,300
EZN4D0350S04	●	3.5	22	59	59.6	4	5,300
EZN4D0360S04	●	3.6	25	59	59.7	4	5,600
EZN4D0370S04	●	3.7	25	59	59.7	4	5,600
EZN4D0380S04	●	3.8	25	59	59.7	4	5,600
EZN4D0390S04	●	3.9	25	59	59.7	4	5,600
EZN4D0400S04	●	4.0	25	59	59.7	4	5,600
EZN4D0410S06	●	4.1	28	74	74.7	6	6,000
EZN4D0420S06	●	4.2	28	74	74.8	6	6,000
EZN4D0430S06	●	4.3	28	74	74.8	6	6,000
EZN4D0440S06	●	4.4	28	74	74.8	6	6,000
EZN4D0450S06	●	4.5	28	74	74.8	6	6,000
EZN4D0460S06	●	4.6	31	74	74.8	6	6,400
EZN4D0470S06	●	4.7	31	74	74.9	6	6,400
EZN4D0480S06	●	4.8	31	74	74.9	6	6,400
EZN4D0490S06	●	4.9	31	74	74.9	6	6,400
EZN4D0500S06	●	5.0	31	74	74.9	6	6,400
EZN4D0510S06	●	5.1	34	79	79.9	6	6,750

形番 Cat. No.	在庫 Stock	寸法(mm) Dimensions					標準価格 (円) List Price (JPY)
		φDc	ℓ	L	Lo	φDs	
EZN4D0520S06	●	5.2	34	79	79.9	6	6,750
EZN4D0530S06	●	5.3	34	79	80.0	6	6,750
EZN4D0540S06	●	5.4	34	79	80.0	6	6,750
EZN4D0550S06	●	5.5	34	79	80.0	6	6,750
EZN4D0560S06	●	5.6	37	79	80.0	6	7,100
EZN4D0570S06	●	5.7	37	79	80.0	6	7,100
EZN4D0580S06	●	5.8	37	79	80.1	6	7,100
EZN4D0590S06	●	5.9	37	79	80.1	6	7,100
EZN4D0600S06	●	6.0	37	79	80.1	6	7,100
EZN4D0610S08	●	6.1	40	88	89.1	8	7,100
EZN4D0620S08	●	6.2	40	88	89.1	8	7,100
EZN4D0630S08	●	6.3	40	88	89.1	8	7,100
EZN4D0640S08	●	6.4	40	88	89.2	8	7,100
EZN4D0650S08	●	6.5	40	88	89.2	8	7,100
EZN4D0660S08	●	6.6	42	88	89.2	8	7,550
EZN4D0670S08	●	6.7	42	88	89.2	8	7,550
EZN4D0680S08	●	6.8	42	88	89.2	8	7,550
EZN4D0690S08	●	6.9	42	88	89.3	8	7,550
EZN4D0700S08	●	7.0	42	88	89.3	8	7,550
EZN4D0710S08	●	7.1	45	93	94.3	8	8,000
EZN4D0720S08	●	7.2	45	93	94.3	8	8,000
EZN4D0730S08	●	7.3	45	93	94.3	8	8,000

●:メーカー在庫品 Standard stock items



●直径寸法許容差(mm)  
Tolerance for φDc

直径φDc Tool dia.	許容差 Tolerance
3以下 3 Up to	0 -0.014
3をこえ6以下 3 Over 6 Up to	0 -0.018
6をこえ10以下 6 Over 10 Up to	0 -0.022
10をこえ16以下 10 Over 16 Up to	0 -0.027

形番 Cat. No.	在庫 Stock	寸法(mm) Dimensions					標準価格 (円) List Price (JPY)
		φDc	ℓ	L	Lo	φDs	
EZN4D0740S08	●	7.4	45	93	94.3	8	8,000
EZN4D0750S08	●	7.5	45	93	94.4	8	8,000
EZN4D0760S08	●	7.6	48	93	94.4	8	8,450
EZN4D0770S08	●	7.7	48	93	94.4	8	8,450
EZN4D0780S08	●	7.8	48	93	94.4	8	8,450
EZN4D0790S08	●	7.9	48	93	94.4	8	8,450
EZN4D0800S08	●	8.0	48	93	94.5	8	8,450
EZN4D0810S10	●	8.1	51	98	99.5	10	8,900
EZN4D0820S10	●	8.2	51	98	99.5	10	8,900
EZN4D0830S10	●	8.3	51	98	99.5	10	8,900
EZN4D0840S10	●	8.4	51	98	99.5	10	8,900
EZN4D0850S10	●	8.5	51	98	99.5	10	8,900
EZN4D0860S10	●	8.6	54	98	99.6	10	9,250
EZN4D0870S10	●	8.7	54	98	99.6	10	9,250
EZN4D0880S10	●	8.8	54	98	99.6	10	9,250
EZN4D0890S10	●	8.9	54	98	99.6	10	9,250
EZN4D0900S10	●	9.0	54	98	99.6	10	9,250
EZN4D0910S10	●	9.1	57	108	109.7	10	9,800
EZN4D0920S10	●	9.2	57	108	109.7	10	9,800
EZN4D0930S10	●	9.3	57	108	109.7	10	9,800
EZN4D0940S10	●	9.4	57	108	109.7	10	9,800
EZN4D0950S10	●	9.5	57	108	109.7	10	9,800

形番 Cat. No.	在庫 Stock	寸法(mm) Dimensions					標準価格 (円) List Price (JPY)
		φDc	ℓ	L	Lo	φDs	
EZN4D0960S10	●	9.6	60	108	109.7	10	10,100
EZN4D0970S10	●	9.7	60	108	109.8	10	10,100
EZN4D0980S10	●	9.8	60	108	109.8	10	10,100
EZN4D0990S10	●	9.9	60	108	109.8	10	10,100
EZN4D1000S10	●	10.0	60	108	109.8	10	10,100
EZN4D1010S12	●	10.1	63	118	119.8	12	10,700
EZN4D1020S12	●	10.2	63	118	119.9	12	10,700
EZN4D1030S12	●	10.3	63	118	119.9	12	10,700
EZN4D1040S12	●	10.4	63	118	119.9	12	10,700
EZN4D1050S12	●	10.5	63	118	119.9	12	10,700
EZN4D1060S12	●	10.6	66	118	119.9	12	11,000
EZN4D1070S12	●	10.7	66	118	119.9	12	11,000
EZN4D1080S12	●	10.8	66	118	120.0	12	11,000
EZN4D1090S12	●	10.9	66	118	120.0	12	11,000
EZN4D1100S12	●	11.0	66	118	120.0	12	11,000
EZN4D1150S12	●	11.5	69	118	120.1	12	11,500
EZN4D1200S12	●	12.0	72	118	120.2	12	11,900
EZN4D1250S14	●	12.5	78	137	139.3	14	12,200
EZN4D1300S14	●	13.0	78	137	139.4	14	12,700
EZN4D1350S14	●	13.5	84	147	149.5	14	13,100
EZN4D1400S14	●	14.0	84	147	149.5	14	13,600

●:メーカー在庫品 Standard stock items

特殊品対応及び、再研削再コート対応致します。  
詳細は弊社営業所までお問い合わせください。

再研削の手引きは  
↓コチラ↓



## 製品概要

### Line up

## ● ストライクドリル EZN3D形(3Dタイプ)

### EZN3D type



- 高精度ソリッドドリル High accuracy solid drill
- 有効加工穴深さ3×Dc Drilling depth 3×Dc
- ねじれ角30° Helix angle :30°
- クーラント穴つき Through coolant hole

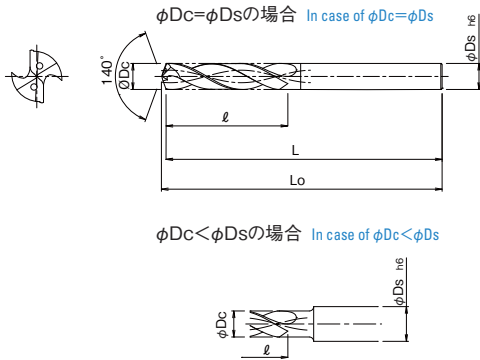


形番 Cat. No.	在庫 Stock	寸法(mm) Dimensions					標準価格 (円) List Price (JPY)
		φDc	ℓ	L	Lo	φDs	
EZN3DCH0300S03	●	3.0	15	68	68.5	3	7,360
EZN3DCH0310S04	●	3.1	18	71	71.6	4	7,830
EZN3DCH0320S04	●	3.2	18	71	71.6	4	7,830
EZN3DCH0330S04	●	3.3	18	71	71.6	4	7,830
EZN3DCH0340S04	●	3.4	18	71	71.6	4	7,830
EZN3DCH0350S04	●	3.5	18	71	71.6	4	7,830
EZN3DCH0360S04	●	3.6	20	73	73.7	4	8,190
EZN3DCH0370S04	●	3.7	20	73	73.7	4	8,190
EZN3DCH0380S04	●	3.8	20	73	73.7	4	8,190
EZN3DCH0390S04	●	3.9	20	73	73.7	4	8,190
EZN3DCH0400S04	●	4.0	20	73	73.7	4	8,190
EZN3DCH0410S05	●	4.1	23	78	78.7	5	8,820
EZN3DCH0420S05	●	4.2	23	78	78.8	5	8,820
EZN3DCH0430S05	●	4.3	23	78	78.8	5	8,820
EZN3DCH0440S05	●	4.4	23	78	78.8	5	8,820
EZN3DCH0450S05	●	4.5	23	78	78.8	5	8,820
EZN3DCH0460S05	●	4.6	25	80	80.8	5	9,540
EZN3DCH0470S05	●	4.7	25	80	80.9	5	9,540
EZN3DCH0480S05	●	4.8	25	80	80.9	5	9,540
EZN3DCH0490S05	●	4.9	25	80	80.9	5	9,540
EZN3DCH0500S05	●	5.0	25	80	80.9	5	9,540
EZN3DCH0510S06	●	5.1	28	82	82.9	6	10,200
EZN3DCH0520S06	●	5.2	28	82	82.9	6	10,200

形番 Cat. No.	在庫 Stock	寸法(mm) Dimensions					標準価格 (円) List Price (JPY)
		φDc	ℓ	L	Lo	φDs	
EZN3DCH0530S06	●	5.3	28	82	83.0	6	10,200
EZN3DCH0540S06	●	5.4	28	82	83.0	6	10,200
EZN3DCH0550S06	●	5.5	28	82	83.0	6	10,200
EZN3DCH0560S06	●	5.6	30	82	83.0	6	10,700
EZN3DCH0570S06	●	5.7	30	82	83.0	6	10,700
EZN3DCH0580S06	●	5.8	30	82	83.1	6	10,700
EZN3DCH0590S06	●	5.9	30	82	83.1	6	10,700
EZN3DCH0600S06	●	6.0	30	82	83.1	6	10,700
EZN3DCH0610S07	●	6.1	33	86	87.1	7	10,800
EZN3DCH0620S07	●	6.2	33	86	87.1	7	10,800
EZN3DCH0630S07	●	6.3	33	86	87.1	7	10,800
EZN3DCH0640S07	●	6.4	33	86	87.2	7	10,800
EZN3DCH0650S07	●	6.5	33	86	87.2	7	10,800
EZN3DCH0660S07	●	6.6	35	88	89.2	7	11,500
EZN3DCH0670S07	●	6.7	35	88	89.2	7	11,500
EZN3DCH0680S07	●	6.8	35	88	89.2	7	11,500
EZN3DCH0690S07	●	6.9	35	88	89.3	7	11,500
EZN3DCH0700S07	●	7.0	35	88	89.3	7	11,500
EZN3DCH0710S08	●	7.1	38	92	93.3	8	12,300
EZN3DCH0720S08	●	7.2	38	92	93.3	8	12,300
EZN3DCH0730S08	●	7.3	38	92	93.3	8	12,300
EZN3DCH0740S08	●	7.4	38	92	93.3	8	12,300
EZN3DCH0750S08	●	7.5	38	92	93.4	8	12,300

●:メーカー在庫品 Standard stock items





●直径寸法許容差(mm)  
Tolerance for  $\phi D_c$

直径 $\phi D_c$ Tool dia.		許容差 Tolerance
3以下	3 Up to	0 -0.014
3をこえ6以下	3 Over 6 Up to	0 -0.018
6をこえ10以下	6 Over 10 Up to	0 -0.022
10をこえ16以下	10 Over 16 Up to	0 -0.027

形番 Cat. No.	在庫 Stock	寸法(mm) Dimensions					標準価格 (円) List Price (JPY)
		$\phi D_c$	$\ell$	L	$L_o$	$\phi D_s$	
EZN3DCH0760S08	●	7.6	40	94	95.4	8	13,000
EZN3DCH0770S08	●	7.7	40	94	95.4	8	13,000
EZN3DCH0780S08	●	7.8	40	94	95.4	8	13,000
EZN3DCH0790S08	●	7.9	40	94	95.4	8	13,000
EZN3DCH0800S08	●	8.0	40	94	95.5	8	13,000
EZN3DCH0810S09	●	8.1	43	100	101.5	9	14,200
EZN3DCH0820S09	●	8.2	43	100	101.5	9	14,200
EZN3DCH0830S09	●	8.3	43	100	101.5	9	14,200
EZN3DCH0840S09	●	8.4	43	100	101.5	9	14,200
EZN3DCH0850S09	●	8.5	43	100	101.5	9	14,200
EZN3DCH0860S09	●	8.6	45	100	101.6	9	14,800
EZN3DCH0870S09	●	8.7	45	100	101.6	9	14,800
EZN3DCH0880S09	●	8.8	45	100	101.6	9	14,800
EZN3DCH0890S09	●	8.9	45	100	101.6	9	14,800
EZN3DCH0900S09	●	9.0	45	100	101.6	9	14,800
EZN3DCH0910S10	●	9.1	48	106	107.7	10	15,600
EZN3DCH0920S10	●	9.2	48	106	107.7	10	15,600
EZN3DCH0930S10	●	9.3	48	106	107.7	10	15,600
EZN3DCH0940S10	●	9.4	48	106	107.7	10	15,600
EZN3DCH0950S10	●	9.5	48	106	107.7	10	15,600
EZN3DCH0960S10	●	9.6	50	106	107.7	10	16,200
EZN3DCH0970S10	●	9.7	50	106	107.8	10	16,200
EZN3DCH0980S10	●	9.8	50	106	107.8	10	16,200

●:メーカー在庫品 Standard stock items

形番 Cat. No.	在庫 Stock	寸法(mm) Dimensions					標準価格 (円) List Price (JPY)
		$\phi D_c$	$\ell$	L	$L_o$	$\phi D_s$	
EZN3DCH0990S10	●	9.9	50	106	107.8	10	16,200
EZN3DCH1000S10	●	10.0	50	106	107.8	10	16,200
EZN3DCH1010S11	●	10.1	53	116	117.8	11	17,100
EZN3DCH1020S11	●	10.2	53	116	117.9	11	17,100
EZN3DCH1030S11	●	10.3	53	116	117.9	11	17,100
EZN3DCH1040S11	●	10.4	53	116	117.9	11	17,100
EZN3DCH1050S11	●	10.5	53	116	117.9	11	17,100
EZN3DCH1060S11	●	10.6	55	116	117.9	11	17,600
EZN3DCH1070S11	●	10.7	55	116	117.9	11	17,600
EZN3DCH1080S11	●	10.8	55	116	118.0	11	17,600
EZN3DCH1090S11	●	10.9	55	116	118.0	11	17,600
EZN3DCH1100S11	●	11.0	55	116	118.0	11	18,000
EZN3DCH1150S12	●	11.5	58	122	124.1	12	18,700
EZN3DCH1200S12	●	12.0	60	122	124.2	12	19,500
EZN3DCH1250S13	●	12.5	65	128	130.3	13	20,100
EZN3DCH1300S13	●	13.0	65	128	130.4	13	20,800
EZN3DCH1350S14	●	13.5	70	134	136.5	14	21,600
EZN3DCH1400S14	●	14.0	70	134	136.5	14	22,300
EZN3DCH1450S15	●	14.5	75	140	142.6	15	22,800
EZN3DCH1500S15	●	15.0	75	140	142.7	15	23,600
EZN3DCH1550S16	●	15.5	80	146	148.8	16	24,300
EZN3DCH1600S16	●	16.0	80	146	148.9	16	25,000

特殊品対応及び、再研削再コート対応致します。  
詳細は弊社営業所までお問い合わせください。

再研削の手引きは  
↓コチラ↓



## 製品概要

### Line up

## ● ストライクドリル EZN5D形(5Dタイプ)

### EZN5D type



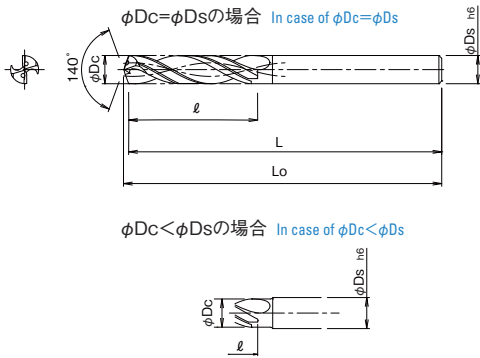
- 高精度ソリッドドリル High accuracy solid drill
- 有効加工穴深さ5×Dc Drilling depth 5×Dc
- ねじれ角30° Helix angle :30°
- クーラント穴つき Through coolant hole
- ダブルマージン Double margin



形番 Cat. No.	在庫 Stock	寸法(mm) Dimensions					標準価格 (円) List Price (JPY)
		φDc	ℓ	L	Lo	φDs	
EZN5DCH0300S03	◎	3.0	24	77	77.5	3	9,490
EZN5DCH0310S04	◎	3.1	28	81	81.6	4	9,790
EZN5DCH0320S04	◎	3.2	28	81	81.6	4	9,790
EZN5DCH0330S04	◎	3.3	28	81	81.6	4	9,790
EZN5DCH0340S04	◎	3.4	28	81	81.6	4	9,790
EZN5DCH0350S04	◎	3.5	28	81	81.6	4	9,790
EZN5DCH0360S04	◎	3.6	32	85	85.7	4	10,100
EZN5DCH0370S04	◎	3.7	32	85	85.7	4	10,100
EZN5DCH0380S04	◎	3.8	32	85	85.7	4	10,100
EZN5DCH0390S04	◎	3.9	32	85	85.7	4	10,100
EZN5DCH0400S04	◎	4.0	32	85	85.7	4	10,100
EZN5DCH0410S05	◎	4.1	36	91	91.7	5	10,800
EZN5DCH0420S05	◎	4.2	36	91	91.8	5	10,800
EZN5DCH0430S05	◎	4.3	36	91	91.8	5	10,800
EZN5DCH0440S05	◎	4.4	36	91	91.8	5	10,800
EZN5DCH0450S05	◎	4.5	36	91	91.8	5	10,800
EZN5DCH0460S05	◎	4.6	40	94	94.8	5	11,000
EZN5DCH0470S05	◎	4.7	40	94	94.9	5	11,000
EZN5DCH0480S05	◎	4.8	40	94	94.9	5	11,000
EZN5DCH0490S05	◎	4.9	40	94	94.9	5	11,000
EZN5DCH0500S05	◎	5.0	40	94	94.9	5	11,000
EZN5DCH0510S06	◎	5.1	44	96	96.9	6	12,200
EZN5DCH0520S06	◎	5.2	44	96	96.9	6	12,200

形番 Cat. No.	在庫 Stock	寸法(mm) Dimensions					標準価格 (円) List Price (JPY)
		φDc	ℓ	L	Lo	φDs	
EZN5DCH0530S06	◎	5.3	44	96	97.0	6	12,200
EZN5DCH0540S06	◎	5.4	44	96	97.0	6	12,200
EZN5DCH0550S06	◎	5.5	44	96	97.0	6	12,200
EZN5DCH0560S06	◎	5.6	48	100	101.0	6	12,500
EZN5DCH0570S06	◎	5.7	48	100	101.0	6	12,500
EZN5DCH0580S06	◎	5.8	48	100	101.1	6	12,500
EZN5DCH0590S06	◎	5.9	48	100	101.1	6	12,500
EZN5DCH0600S06	◎	6.0	48	100	101.1	6	12,500
EZN5DCH0610S07	◎	6.1	52	105	106.1	7	13,100
EZN5DCH0620S07	◎	6.2	52	105	106.1	7	13,100
EZN5DCH0630S07	◎	6.3	52	105	106.1	7	13,100
EZN5DCH0640S07	◎	6.4	52	105	106.2	7	13,100
EZN5DCH0650S07	◎	6.5	52	105	106.2	7	13,100
EZN5DCH0660S07	◎	6.6	56	109	110.2	7	13,500
EZN5DCH0670S07	◎	6.7	56	109	110.2	7	13,500
EZN5DCH0680S07	◎	6.8	56	109	110.2	7	13,500
EZN5DCH0690S07	◎	6.9	56	109	110.3	7	13,500
EZN5DCH0700S07	◎	7.0	56	109	110.3	7	13,500
EZN5DCH0710S08	◎	7.1	60	114	115.3	8	14,600
EZN5DCH0720S08	◎	7.2	60	114	115.3	8	14,600
EZN5DCH0730S08	◎	7.3	60	114	115.3	8	14,600
EZN5DCH0740S08	◎	7.4	60	114	115.3	8	14,600
EZN5DCH0750S08	◎	7.5	60	114	115.4	8	14,600

◎:近日在庫品(2021年8月発売予定) Soon be stocked (Scheduled to be released in August 2021)



●直径寸法許容差(mm)  
Tolerance for φDc

直径φDc Tool dia.	許容差 Tolerance
3以下 3 Up to	0 -0.014
3をこえ6以下 3 Over 6 Up to	0 -0.018
6をこえ10以下 6 Over 10 Up to	0 -0.022
10をこえ16以下 10 Over 16 Up to	0 -0.027

形番 Cat. No.	在庫 Stock	寸法(mm) Dimensions					標準価格 (円) List Price (JPY)
		φDc	ℓ	L	Lo	φDs	
EZN5DCH0760S08	◎	7.6	64	118	119.4	8	14,900
EZN5DCH0770S08	◎	7.7	64	118	119.4	8	14,900
EZN5DCH0780S08	◎	7.8	64	118	119.4	8	14,900
EZN5DCH0790S08	◎	7.9	64	118	119.4	8	14,900
EZN5DCH0800S08	◎	8.0	64	118	119.5	8	14,900
EZN5DCH0810S09	◎	8.1	68	127	128.5	9	16,000
EZN5DCH0820S09	◎	8.2	68	127	128.5	9	16,000
EZN5DCH0830S09	◎	8.3	68	127	128.5	9	16,000
EZN5DCH0840S09	◎	8.4	68	127	128.5	9	16,000
EZN5DCH0850S09	◎	8.5	68	127	128.5	9	16,000
EZN5DCH0860S09	◎	8.6	72	127	128.6	9	16,400
EZN5DCH0870S09	◎	8.7	72	127	128.6	9	16,400
EZN5DCH0880S09	◎	8.8	72	127	128.6	9	16,400
EZN5DCH0890S09	◎	8.9	72	127	128.6	9	16,400
EZN5DCH0900S09	◎	9.0	72	127	128.6	9	16,400
EZN5DCH0910S10	◎	9.1	76	136	137.7	10	17,500
EZN5DCH0920S10	◎	9.2	76	136	137.7	10	17,500
EZN5DCH0930S10	◎	9.3	76	136	137.7	10	17,500
EZN5DCH0940S10	◎	9.4	76	136	137.7	10	17,500
EZN5DCH0950S10	◎	9.5	76	136	137.7	10	17,500
EZN5DCH0960S10	◎	9.6	80	136	137.7	10	17,700
EZN5DCH0970S10	◎	9.7	80	136	137.8	10	17,700
EZN5DCH0980S10	◎	9.8	80	136	137.8	10	17,700

形番 Cat. No.	在庫 Stock	寸法(mm) Dimensions					標準価格 (円) List Price (JPY)
		φDc	ℓ	L	Lo	φDs	
EZN5DCH0990S10	◎	9.9	80	136	137.8	10	17,700
EZN5DCH1000S10	◎	10.0	80	136	137.8	10	17,700
EZN5DCH1010S11	◎	10.1	84	149	150.8	11	18,800
EZN5DCH1020S11	◎	10.2	84	149	150.9	11	18,800
EZN5DCH1030S11	◎	10.3	84	149	150.9	11	18,800
EZN5DCH1040S11	◎	10.4	84	149	150.9	11	18,800
EZN5DCH1050S11	◎	10.5	84	149	150.9	11	18,800
EZN5DCH1060S11	◎	10.6	88	149	150.9	11	19,400
EZN5DCH1070S11	◎	10.7	88	149	150.9	11	19,400
EZN5DCH1080S11	◎	10.8	88	149	151.0	11	19,400
EZN5DCH1090S11	◎	10.9	88	149	151.0	11	19,400
EZN5DCH1100S11	◎	11.0	88	149	151.0	11	19,400
EZN5DCH1150S12	◎	11.5	92	158	160.1	12	20,500
EZN5DCH1200S12	◎	12.0	96	158	160.2	12	20,900
EZN5DCH1250S13	◎	12.5	104	167	169.3	13	22,000
EZN5DCH1300S13	◎	13.0	104	167	169.4	13	22,400
EZN5DCH1350S14	◎	13.5	112	176	178.5	14	23,600
EZN5DCH1400S14	◎	14.0	112	176	178.5	14	23,900
EZN5DCH1450S15	◎	14.5	120	185	187.6	15	26,600
EZN5DCH1500S15	◎	15.0	120	185	187.7	15	26,900
EZN5DCH1550S16	◎	15.5	128	194	196.8	16	28,300
EZN5DCH1600S16	◎	16.0	128	194	196.9	16	28,400

◎近日在庫品 Soon be stocked

特殊品対応及び、再研削再コート対応致します。  
詳細は弊社営業所までお問い合わせください。

再研削の手引きは  
↓コチラ↓



## 標準切削条件 Recommended cutting conditions

### ● ストライクドリル EZN2D・EZN4D形(2D・4Dタイプ) EZN2D/EZN4D type

被削材 Work materials	構造用鋼(SS400)硬さ180HB以下 Steel for structure Below 180HB		炭素鋼(S50C)硬さ280HB以下 Carbon steel (S50) Below 280HB		合金鋼(SCM440)280~350HB Alloy steel (1.7223) 280~350HB	
切削速度 Cutting speed Vc (m/min)	15~45( $\phi 1 \sim \phi 1.9$ ) 40~100( $\phi 2 \sim \phi 7$ ) 60~120( $\phi 7.1 \sim \phi 14$ )		15~45( $\phi 1 \sim \phi 1.9$ ) 40~100( $\phi 2 \sim \phi 7$ ) 60~120( $\phi 7.1 \sim \phi 14$ )		15~45( $\phi 1 \sim \phi 1.9$ ) 40~80( $\phi 2 \sim \phi 14$ )	
送り量 feed f (mm/rev)	0.02~0.06( $\phi 1 \sim \phi 2.9$ ) 0.08~0.18( $\phi 3 \sim \phi 5$ ) 0.08~0.22( $\phi 5.1 \sim \phi 7$ ) 0.15~0.28( $\phi 7.1 \sim \phi 12$ ) 0.20~0.33( $\phi 12.1 \sim \phi 14$ )		0.02~0.06( $\phi 1 \sim \phi 2.9$ ) 0.08~0.18( $\phi 3 \sim \phi 5$ ) 0.08~0.22( $\phi 5.1 \sim \phi 7$ ) 0.15~0.28( $\phi 7.1 \sim \phi 12$ ) 0.20~0.33( $\phi 12.1 \sim \phi 14$ )		0.02~0.06( $\phi 1 \sim \phi 2.9$ ) 0.08~0.18( $\phi 3 \sim \phi 5$ ) 0.08~0.22( $\phi 5.1 \sim \phi 7$ ) 0.15~0.28( $\phi 7.1 \sim \phi 12$ ) 0.18~0.33( $\phi 12.1 \sim \phi 14$ )	
ドリル直径 Drill dia. (mm)	回転速度 Spindle speed n (min <sup>-1</sup> )	送り速度 Feed speed Vf (mm/min)	回転速度 Spindle speed n (min <sup>-1</sup> )	送り速度 Feed speed Vf (mm/min)	回転速度 Spindle speed n (min <sup>-1</sup> )	送り速度 Feed speed Vf (mm/min)
1	9,550	390	9,550	390	9,550	390
2	8,760	360	8,760	360	8,760	360
3	7,430	970	7,430	970	6,370	830
4	5,580	790	5,580	790	4,780	670
5	4,460	670	4,460	670	3,820	580
6	3,720	620	3,720	620	3,190	530
7	3,530	610	3,530	610	2,730	470
8	3,190	580	3,190	580	2,390	440
9	3,010	560	3,010	560	2,130	400
10	2,710	560	2,710	560	1,910	400
11	2,460	560	2,460	560	1,740	400
12	2,390	540	2,260	510	1,600	360
13	2,330	540	2,210	510	1,470	340
14	2,160	520	2,050	500	1,370	330

#### 使用上の注意事項

- \*1. 上記の標準切削条件は平坦面加工における目安の条件を示しています。  
機械剛性やワーククランプ、加工部形状などにより必要に応じて切削条件を調整してください。
- \*2. 上記の標準切削条件は切れ刃先端部に水溶性切削油を外部給油にて充分な量を供給している場合を想定しています。
- \*3. 穴深さは2Dタイプの場合は2D以下、4Dタイプの場合は4D以下での使用を想定しています。
- \*4. 被削材の性質やワーク形状などにより、切りくずが長く伸びる場合があります。  
それにより、『穴径が拡大する』『壁面に傷がつく』『切りくず詰まりによる工具破損』などの可能性があるので、『送り上げる』『ステップ加工』などを行い、切りくずを分断してください。

#### Attention

- \*1. Above cutting conditions are for drilling flat surface.  
Please adjust cutting conditions according to machine rigidity, work clamping and shape of machining part.
- \*2. Above cutting conditions are for drilling with water soluble (internal coolant)
- \*3. We expect 2D type's depth of hole is less than 2D, 4D type is less than 4D.
- \*4. In case of long chips evacuated, adjust above conditions by increasing Feed speed or using step feed for breaking chips.

被削材 Work materials	プリハードン鋼 (NAK80) 硬さ38~43HRC Mold Steel (P21) 38~43HRC		ねずみ鋳鉄 (FC250) 引張り強さ350MPa以下 Grey cast iron (GG25) Below 350MPa		ダクタイル鋳鉄 (FCD400) 引張り強さ450MPa以下 Nodular cast iron (GGG40) Below 450MPa	
切削速度 Cutting speed Vc (m/min)	15~45(φ1~φ 1.9) 30~60(φ2~φ14 )		15~ 45(φ1 ~φ 1.9) 40~100(φ2 ~φ 7 ) 80~120(φ7.1~φ14 )		15~ 45(φ1 ~φ 1.9) 40~ 80(φ2 ~φ 7 ) 50~100(φ7.1~φ14 )	
送り量 feed f (mm/rev)	0.02~0.05(φ 1 ~φ 2.9) 0.08~0.18(φ 3 ~φ 5 ) 0.08~0.22(φ 5.1~φ 7 ) 0.10~0.28(φ 7.1~φ12 ) 0.13~0.30(φ12.1~φ14 )		0.02~0.06(φ 1 ~φ 2.9) 0.10~0.18(φ 3 ~φ 5 ) 0.12~0.22(φ 5.1~φ 7 ) 0.15~0.28(φ 7.1~φ12 ) 0.20~0.33(φ12.1~φ14 )		0.02~0.06(φ 1 ~φ 2.9) 0.10~0.18(φ 3 ~φ 5 ) 0.12~0.22(φ 5.1~φ 7 ) 0.15~0.28(φ 7.1~φ12 ) 0.20~0.30(φ12.1~φ14 )	
ドリル直径 Drill dia. (mm)	回転速度 Spindle speed n (min <sup>-1</sup> )	送り速度 Feed speed Vf (mm/min)	回転速度 Spindle speed n (min <sup>-1</sup> )	送り速度 Feed speed Vf (mm/min)	回転速度 Spindle speed n (min <sup>-1</sup> )	送り速度 Feed speed Vf (mm/min)
1	9,550	290	9,550	390	9,550	390
2	7,170	220	8,760	360	8,760	360
3	4,780	630	9,020	1,220	6,370	860
4	3,590	510	6,770	990	4,780	700
5	2,870	440	5,420	850	3,820	600
6	2,390	400	4,510	770	3,190	550
7	2,050	340	3,870	660	2,730	470
8	1,800	300	3,590	650	2,590	470
9	1,600	270	3,540	640	2,300	420
10	1,440	240	3,190	640	2,070	420
11	1,310	220	2,900	630	1,890	410
12	1,200	200	2,660	600	1,860	420
13	1,110	200	2,450	570	1,720	400
14	1,030	190	2,280	550	1,600	390

## 標準切削条件 Recommended cutting conditions

### ● ストライクドリル EZN3D・EZN5D形 (3D・5Dタイプ) EZN3D/EZN5D type

被削材 Work materials	構造用鋼 (SS400) 硬さ180HB以下 Steel for structure Below 180HB		炭素鋼 (S50C) 硬さ280HB以下 Carbon steel (C50) Below 280HB		合金鋼 (SCM440) 280~350HB Alloy steel (1.7223) 280~350HB		プリハードン鋼 (NAK80) 硬さ38~43HRC Mold Steel (P21) 38~43HRC	
切削速度 Cutting speed Vc (m/min)	50~120 (φ3 ~φ7) 80~160 (φ7.1~φ16)		50~120 (φ3 ~φ7) 80~140 (φ7.1~φ16)		40~80 (φ3 ~φ7) 50~100 (φ7.1~φ16)		30~60 (φ3 ~φ7) 40~70 (φ7.1~φ16)	
送り量 feed f (mm/rev)	0.10~0.20 (φ3 ~φ5) 0.13~0.25 (φ5.1~φ7) 0.15~0.32 (φ7.1~φ12) 0.20~0.35 (φ12.1~φ16)		0.10~0.20 (φ3 ~φ5) 0.13~0.25 (φ5.1~φ7) 0.15~0.32 (φ7.1~φ12) 0.20~0.35 (φ12.1~φ16)		0.10~0.20 (φ3 ~φ5) 0.12~0.23 (φ5.1~φ7) 0.15~0.32 (φ7.1~φ12) 0.20~0.35 (φ12.1~φ16)		0.10~0.18 (φ3 ~φ5) 0.12~0.23 (φ5.1~φ7) 0.15~0.28 (φ7.1~φ12) 0.15~0.30 (φ12.1~φ16)	
ドリル直径 Drill dia. (mm)	回転速度 Spindle speed n (min <sup>-1</sup> )	送り速度 Feed speed Vf (mm/min)	回転速度 Spindle speed n (min <sup>-1</sup> )	送り速度 Feed speed Vf (mm/min)	回転速度 Spindle speed n (min <sup>-1</sup> )	送り速度 Feed speed Vf (mm/min)	回転速度 Spindle speed n (min <sup>-1</sup> )	送り速度 Feed speed Vf (mm/min)
3	9,020	1,360	9,020	1,360	6,370	960	4,780	670
4	6,770	1,020	6,770	1,020	4,780	720	3,590	530
5	5,420	950	5,420	950	3,820	640	2,870	460
6	4,780	910	4,780	910	3,450	610	2,390	420
7	4,550	870	4,550	870	3,190	600	2,280	400
8	4,380	880	4,380	880	2,990	600	1,990	360
9	3,900	820	3,900	820	2,660	580	1,770	340
10	3,510	780	3,510	780	2,390	550	1,680	340
11	3,190	750	3,190	750	2,180	520	1,520	330
12	3,060	750	3,060	750	1,990	500	1,460	320
13	2,940	740	2,700	680	1,960	500	1,350	310
14	2,730	690	2,510	630	1,820	470	1,260	290
15	2,550	670	2,340	610	1,700	450	1,170	270
16	2,390	660	2,190	610	1,600	450	1,100	250

#### 使用上の注意事項

- \*1. 上記の標準切削条件は平坦面加工における目安の条件を示しています。  
機械剛性やワーククランプ、加工部形状などにより必要に応じて切削条件を調整してください。
- \*2. 水溶性切削油を内部給油にてお使いください。
- \*3. 穴深さは3Dタイプの場合は3D以下、5Dタイプの場合は5D以下での使用を想定しています。
- \*4. 被削材の性質やワーク形状などにより、切りくずが長く伸びる場合があります。  
それにより、『穴径が拡大する』『壁面に傷がつく』『切りくず詰まりによる工具破損』  
などの可能性がありますので、『送りを上げる』『ステップ加工』などを行い、切りくずを分断してください。

#### Attention

- \*1. Above cutting conditions are for drilling flat surface.  
Please adjust cutting conditions according to machine rigidity, work clamping and shape of machining part.
- \*2. Please use water soluble cutting oil with internal coolant.
- \*3. We expect 3D type's depth of hole is less than 3D, 5D type is less than 5D.
- \*4. In case of long chips evacuated, adjust above conditions by increasing Feed speed or using step feed for breaking chips.

被削材 Work materials	ステンレス鋼(SUS304)硬さ280HB以下 Stainless steel Below 280HB		ねずみ鑄鉄(FC250)引張り強さ350MPa以下 Grey cast iron (GG25) Below 350MPa		ダクタイル鑄鉄(FCD400)引張り強さ450MPa以下 Nodular cast iron (GGG40) Below 450MPa	
切削速度 Cutting speed Vc (m/min)	40~ 80(φ3 ~φ 7) 60~100(φ7.1~φ16)		70~120(φ3 ~φ 7) 80~160(φ7.1~φ16)		40~ 80(φ3 ~φ 7) 50~100(φ7.1~φ16)	
送り量 feed f (mm/rev)	0.10~0.20(φ 3 ~φ 5) 0.12~0.23(φ 5.1~φ 7) 0.15~0.28(φ 7.1~φ12) 0.18~0.30(φ12.1~φ16)		0.12~0.20(φ 3 ~φ 5) 0.15~0.25(φ 5.1~φ 7) 0.18~0.32(φ 7.1~φ12) 0.20~0.35(φ12.1~φ16)		0.10~0.20(φ 3 ~φ 5) 0.12~0.23(φ 5.1~φ 7) 0.15~0.30(φ 7.1~φ12) 0.20~0.33(φ12.1~φ16)	
ドリル直径 Drill dia. (mm)	回転速度 Spindle speed n (min <sup>-1</sup> )	送り速度 Feed speed Vf (mm/min)	回転速度 Spindle speed n (min <sup>-1</sup> )	送り速度 Feed speed Vf (mm/min)	回転速度 Spindle speed n (min <sup>-1</sup> )	送り速度 Feed speed Vf (mm/min)
3	6,370	760	10,080	1,620	6,370	960
4	4,780	720	7,560	1,210	4,780	720
5	3,820	650	6,050	1,090	3,820	640
6	3,190	560	5,040	1,010	3,450	610
7	2,960	550	4,550	1,010	3,190	600
8	2,790	520	4,380	990	2,990	600
9	2,480	490	3,900	900	2,660	540
10	2,230	470	3,510	830	2,390	540
11	2,030	470	3,190	770	2,180	500
12	1,990	460	3,060	770	1,990	470
13	1,960	460	2,940	770	1,960	470
14	1,820	430	2,730	730	1,820	440
15	1,700	410	2,660	720	1,700	450
16	1,600	390	2,590	720	1,600	430



本社 〒547-0002 大阪市平野区加美東2丁目1番18号  
 TEL. 06(6791)6781代表 FAX. 06(6793)1221  
 Headquarters 2-1-18, Kami-Higashi, Hirano-ku, Osaka 547-0002, Japan  
 Phone: 81-6-6791-6781 Fax: 81-6-6793-1221



**国内拠点**

- 東京支店(南関東営業所)  
〒221-0835 神奈川県横浜市神奈川区鶴屋町2丁目26番地4 第3安田ビル5F  
TEL. 045(290)5100 FAX. 045(312)0066
- 大阪支店(大阪営業所)  
〒547-0002 大阪市平野区加美東2丁目1番18号  
TEL. 06(6794)0216 FAX. 06(6794)0217
- 北関東営業所  
〒373-0818 群馬県太田市小舞木町614番地  
TEL. 0276(45)8588 FAX. 0276(46)7446
- 広島営業所  
〒732-0053 広島市東区若草町2番10号 リブレ若草101号  
TEL. 082(536)3712 FAX. 082(536)3742
- 仙台オフィス  
〒983-0852 仙台市宮城野区榴岡5丁目2番3号  
TEL. 022(299)0528 FAX. 022(299)3270
- 富山オフィス  
〒939-8096 富山市西大泉17番20号 浜忠第二ビル 1-B  
TEL. 076(425)5171 FAX. 076(425)5187
- 名古屋支店(名古屋営業所)  
〒466-0034 名古屋市昭和区明月町1丁目39番地2 エクセル御器所1F  
TEL. 052(851)5500 FAX. 052(851)8311
- 業務課  
〒547-0002 大阪市平野区加美東2丁目1番18号  
TEL.06(7223)8565 FAX.06(7223)8566

**工場**

- 本 社 工 場 〒547-0002 大阪市平野区加美東2丁目1番18号 TEL. 06(6791)6781 FAX. 06(6793)1221
- 三 重 事 業 所 〒518-0205 三重県伊賀市伊勢路758-14 TEL. 0595(52)2800 FAX. 0595(52)2841
- 富 田 林 工 場 〒584-0022 大阪府富田林市中野町東2丁目1番23号 TEL. 0721(23)2700 FAX. 0721(23)2705

**海外拠点**

- DIJET GmbH (Europe)  
Immermannstr.9 40210 Düsseldorf, Germany  
Phone. 49-211-50088820, 50088822 Fax. 49-211-50088823
- DIJET INDUSTRIAL CO., LTD. (Bangkok Representative Office)  
699 Srinakarindr Road, Modernform Tower 15th Floor, Kweang Suanluang  
Khet Suanluang, Bangkok 10250, Thailand  
Phone. 66-2-722-8258, 8259 Fax. 66-2-722-8260
- DIJET INDUSTRIAL CO., LTD. (Shanghai Representative Office)  
Room No.712 Tomson Commercial Building., 710 Dongfang Rd.,  
Shanghai 200122, China  
Phone. 86-21-5058-1698 Fax. 86-21-5058-1699
- DIJET INDUSTRIAL CO., LTD. (Guandong Representative Office)  
Rm.903, No.98, Zhenan East-Road, Changan Town, Dongguan City,  
Guangdong Province 523850, China  
Phone. 86-769-8188-6001 Fax. 86-769-8188-6608
- DIJET INDUSTRIAL CO., LTD. (Chengdu Office)  
Rm 1-302, No.27 Dongfeng Road, Jinjiang District, Chengdu, 610065, China  
Phone. 86-28-8511-4585 Fax. 86-28-8511-2758
- DIJET INDUSTRIAL CO., LTD. (Wuhan Office)  
B-2513, Jiayu Jianyin Business Masion, No.10 Chuangye Road,  
Wuhan Eco. & Tech. Development Zone, Wuhan City, Hubei 430056, China  
Phone. 86-27-8773-8919 Fax. 86-27-8773-8959
- DIJET INDUSTRIAL CO., LTD. (Mumbai Representative Office)  
322, ARCADIA Hiranandani Estate, Patlipada, G.B. Road,  
Thane (W) 400 607, India  
Phone. 91-22-4012-1231 Fax. 91-22-4024-0919
- DIJET Incorporated (U.S.A.)  
45807 Helm Street, Plymouth, MI 48170 U.S.A.  
Phone. 1-734-454-9100 Fax. 1-734-454-9395

インターネットホームページ

<https://www.dijet.co.jp>

技術相談フリーコール

サンキュー ハイ サンキュー  
**0120-39-81-39**  
 9:00~12:00, 13:00~17:00(土・日・祝日を除く)

営業企画課  
 FAX 06-6793-1230



**ご使用上の注意** 工具を安全にご使用いただくために

- 不適切な切削条件で使用しないでください。●大きな摩耗や欠けのある工具は使用しないでください。
- 切りくずの飛散、巻き付きによるケガにご注意ください。又、保護眼鏡や安全カバーをご使用ください。

**WARNING:** \*Grinding produces hazardous dust. \*To avoid adverse health, use adequate ventilation and read Material Safety Data Sheet first.  
 \*Cutting tools may fragment in use. Wear eye protection in the vicinity of their operation.

●工具仕様は、改良のため予告なく変更することがあります。 **Specification shall be changed without notice.**

販売店

